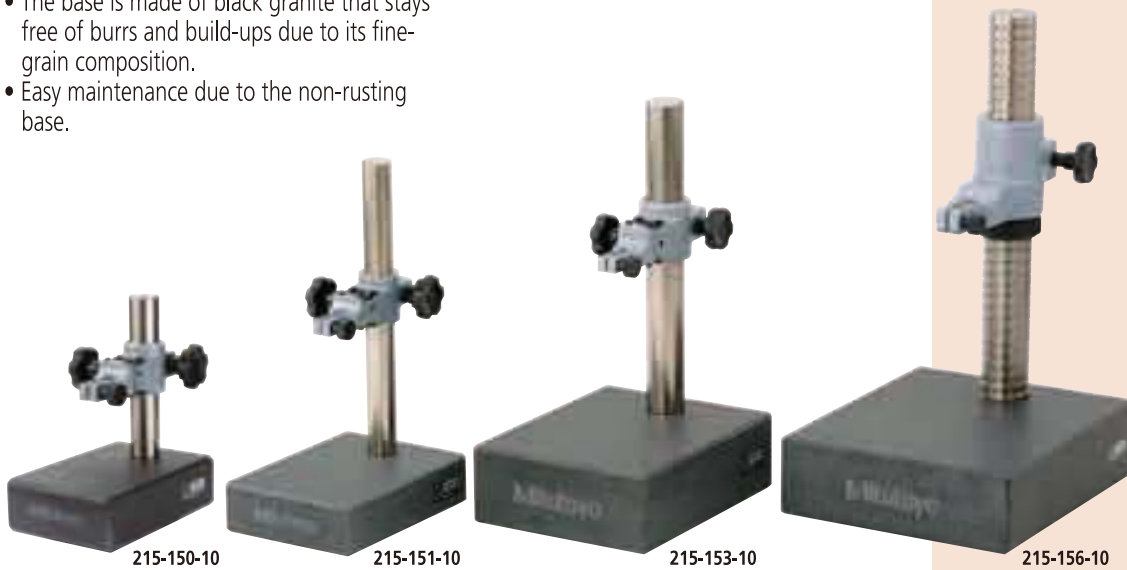


Stands

Comparison measuring instruments which ensure high quality, high accuracy and reliability.

SERIES 215 — Granite Comparator Stands

- The base is made of black granite that stays free of burrs and build-ups due to its fine-grain composition.
- Easy maintenance due to the non-rusting base.



SPECIFICATIONS

Order No.	Granite base size (W x D x H)	Column travel	Stem hole	Remarks
215-150-10	120 x 180 x 50mm	110mm	ø8mm, ø9.53mm	With fine adjustment of 1mm range
215-151-10	150 x 200 x 50mm	250mm	ø8mm, ø9.53mm	With fine adjustment of 1mm range
215-153-10	200 x 250 x 80mm	260mm	ø8mm, ø9.53mm	With fine adjustment of 1mm range
215-156-10	300 x 250 x 80mm	275mm	ø8mm, ø9.53mm, ø20mm	With fine adjustment over the entire travel

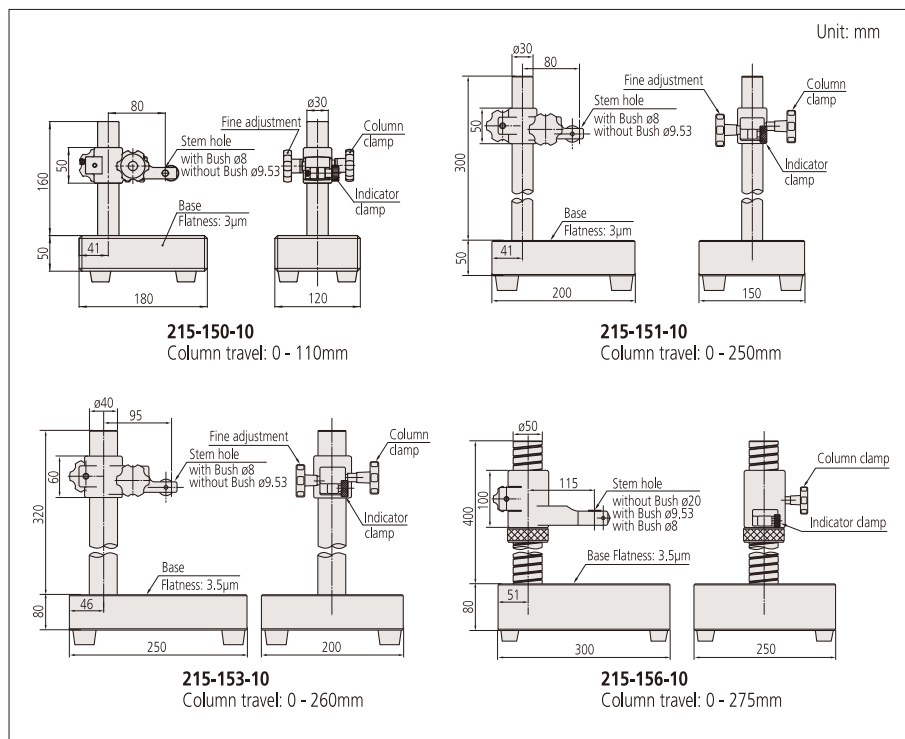
* Perpendicularity of the mounting hole to the anvil: less than 0.2mm/100mm.

* Consult us when mounting Mitutoyo's Linear Gage on this stand. We will check the operation of the stand and Linear Gage set before shipment (made-to-order).

Optional Accessories

- 21JAA329: ø8mm bush
- 21JAA330: ø9.53mm bush
- 21JAA331: ø15mm bush only available for 215-156-10

DIMENSIONS



F

SERIES 215 — Comparator Stands



Application example using Digimatic Indicator ID-H.

- Comparator Stands have a very stable cast-iron base that enables precise measurement.
- The partially serrated anvil prevents very flat workpieces from wringing to it and the 2.3 μ m flatness (or better) promotes accurate measurement.
- The **215-505-10** model has a threaded column which enables easy and precise coarse adjustment.
- Serrated anvils 110x110mm are supplied with **215-405-10**, and 150x150mm with **215-505-10** models.



215-405-10

SPECIFICATIONS

Order No.	Square anvil size (W x D)	Column travel	Stem hole	Remarks
215-405-10	110 x 110mm	235mm	\varnothing 8mm, \varnothing 9.53mm	With fine adjustment of 1mm range
215-505-10	150 x 150mm	275mm	\varnothing 8mm, \varnothing 9.53mm, \varnothing 20mm	With fine adjustment over the entire travel

* Perpendicularity of the mounting hole to the anvil: less than 0.4mm/100mm

Optional Accessories

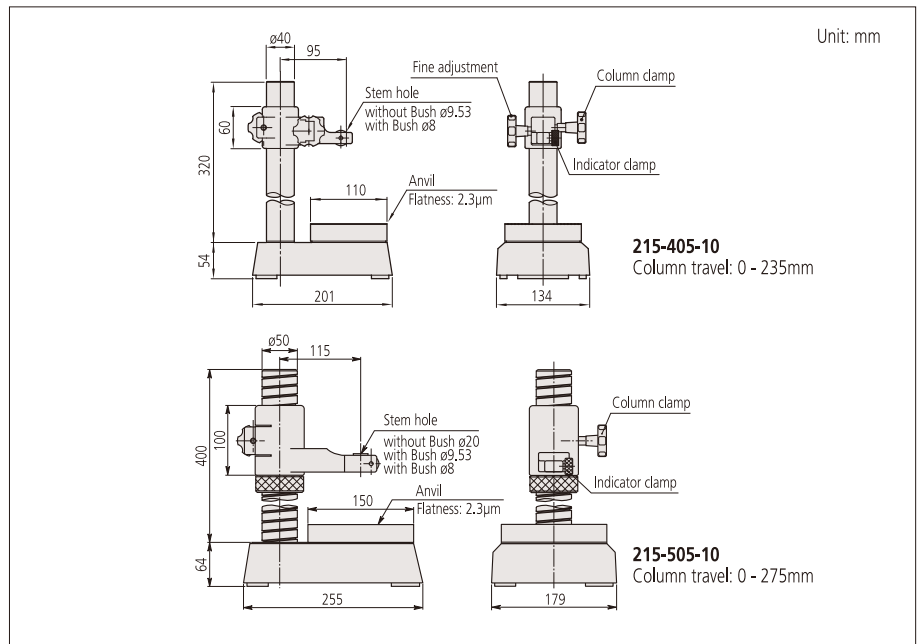
21JAA329: \varnothing 8mm bush*

21JAA330: \varnothing 9.53mm (3/8") bush*

21JAA331: \varnothing 15mm bush*

* Only available for **215-505-10**.

DIMENSIONS



F

Stands

Comparison measuring instruments which ensure high quality, high accuracy and reliability.

SERIES 519 — Transfer Stand

- Transfer Stands are designed for comparison measurements of size using a dial indicator or Digimatic Indicator.

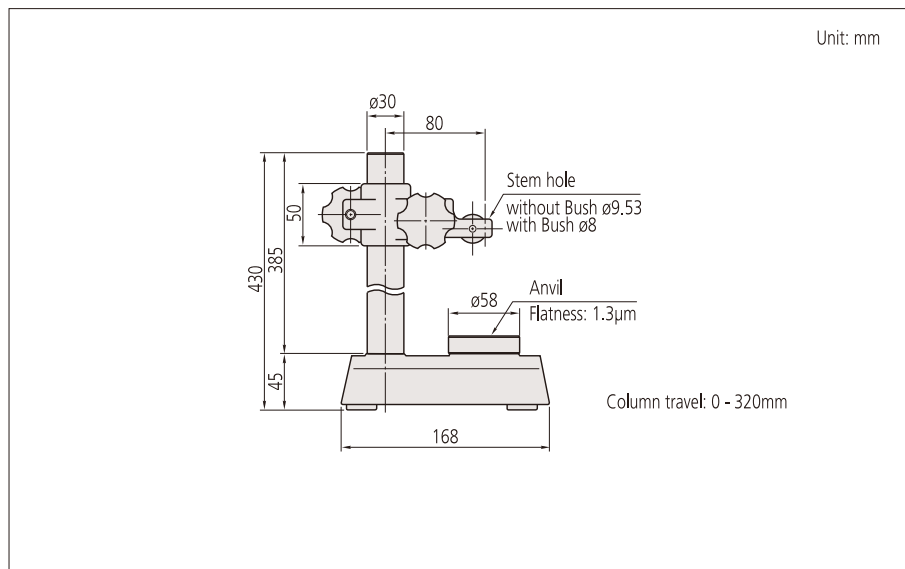


SPECIFICATIONS

Metric		
Order No.	Stem hole	Remarks
519-109-10	ø8mm, ø9.53mm	With serrated anvil

* Perpendicularity of the mounting hole to the anvil: less than 0.4mm/100mm

DIMENSIONS

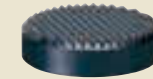


Optional Accessories

101462: Hardened steel Serrated anvil

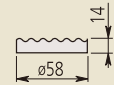
101461: Hardened steel flat anvil

101463: Hardened steel domed anvil



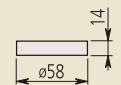
No.101462

Hardened steel



No.101461

Hardened steel



No.101463

Hardened steel

